



P.O. BOX 8003
 WAUSAU, WI 54401-8003
 PH. 715-675-3311

CERTIFICATION DATA SHEET

CUSTOMER: **CUSTOMER PO#:**
ORDER #: **MODEL #:** 215TBFL9037 BD
CONN. DIAGRAM: A-EE9048MD **CUSTOMER PART #:**
OUTLINE: B-SS330107-1175 **MOUNTING:** F1 ONLY
WINDING #: BK104127 R1 2

TYPICAL MOTOR PERFORMANCE DATA

HP	kW	SYNC. RPM	F.L. RPM	FRAME	ENCLOSURE	KVA CODE	DESIGN
10	7.50	1800	1735	215T	TEFC	H	L

PH	Hz	VOLTS	AMPS	START TYPE	DUTY	INSL	S.F.	AMB
1	60	230	40	ACROSS THE LINE	CONTINUOUS	F3	1.15	40

FULL LOAD EFF:	3/4 LOAD EFF:	1/2 LOAD EFF:	GTD. EFF	ELEC. TYPE
84	85.8	82.9		
FULL LOAD PF:	3/4 LOAD PF:	1/2 LOAD PF:	0	CAP START CAP RUN
95	94.2	93.2		

F.L. TORQUE	LOCKED ROTOR AMPS	L.R. TORQUE	B.D. TORQUE	F.L. RISE
30 LB-FT	275	90 LB-FT 300 %	77 LB-FT 257 %	80

SOUND PRESSURE @ 3 FT.	SOUND POWER	ROTOR WK^2	MAX. WK^2	SAFE STALL TIME	STARTS / HOUR	APPROX. MOTOR WGT
72 dBA	82 dBA	0 LB-FT^2	0 LB-FT^2	0 SEC.	0	0 LBS.

***** SUPPLEMENTAL INFORMATION *****

DE BRACKET TYPE	ODE BRACKET TYPE	MOUNT TYPE	ORIENTATION	SEVERE DUTY	HAZARDOUS LOCATION	DRIP COVER	SCREENS	PAINT
STANDARD	STANDARD	RIGID	HORIZONTAL	FALSE	NONE	FALSE	NONE	STANDARD

BEARINGS		GREASE	SHAFT TYPE	SPECIAL DE	SPECIAL ODE	SHAFT MATERIAL	FRAME MATERIAL
DE	ODE						
BALL	BALL	STANDARD	T	NONE	NONE	STANDARD	ALUMINUM
307	206						

THERMO-PROTECTORS				THERMISTORS	CONTROL	SPACE HEATERS
THERMOSTATS	PROTECTORS	WDG RTDs	BRG RTDs			
NONE	MANUAL	NONE	NONE	NONE	FALSE	NONE VOLTS

*
 N
 O
 T
 E
 S
 *

PREPARED BY: **DATE:** 12/05/2012 02:47:02 PM
 FORM 3531 REV.3 02/07/99
 ** Subject to change without notice.

INVERTER TORQUE: NONE
INV. HP SPEED RANGE: NONE

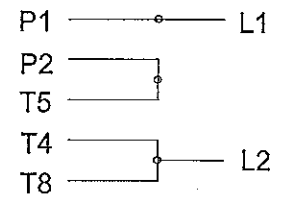
ENCODER: NONE
 NONE NONE
 NONE NONE PPR

BRAKE: NONE NONE
 NONE P/N NONE
 NONE NONE
 FT-LB NONE V NONE Hz

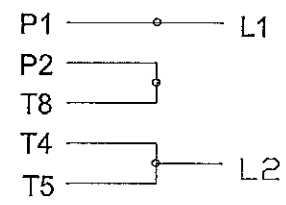
10 HP
Z116-010

CONNECT:
START CAPACITORS IN SERIES-PARALLEL.
RUN CAPACITORS IN PARALLEL

C.W. ROTATION

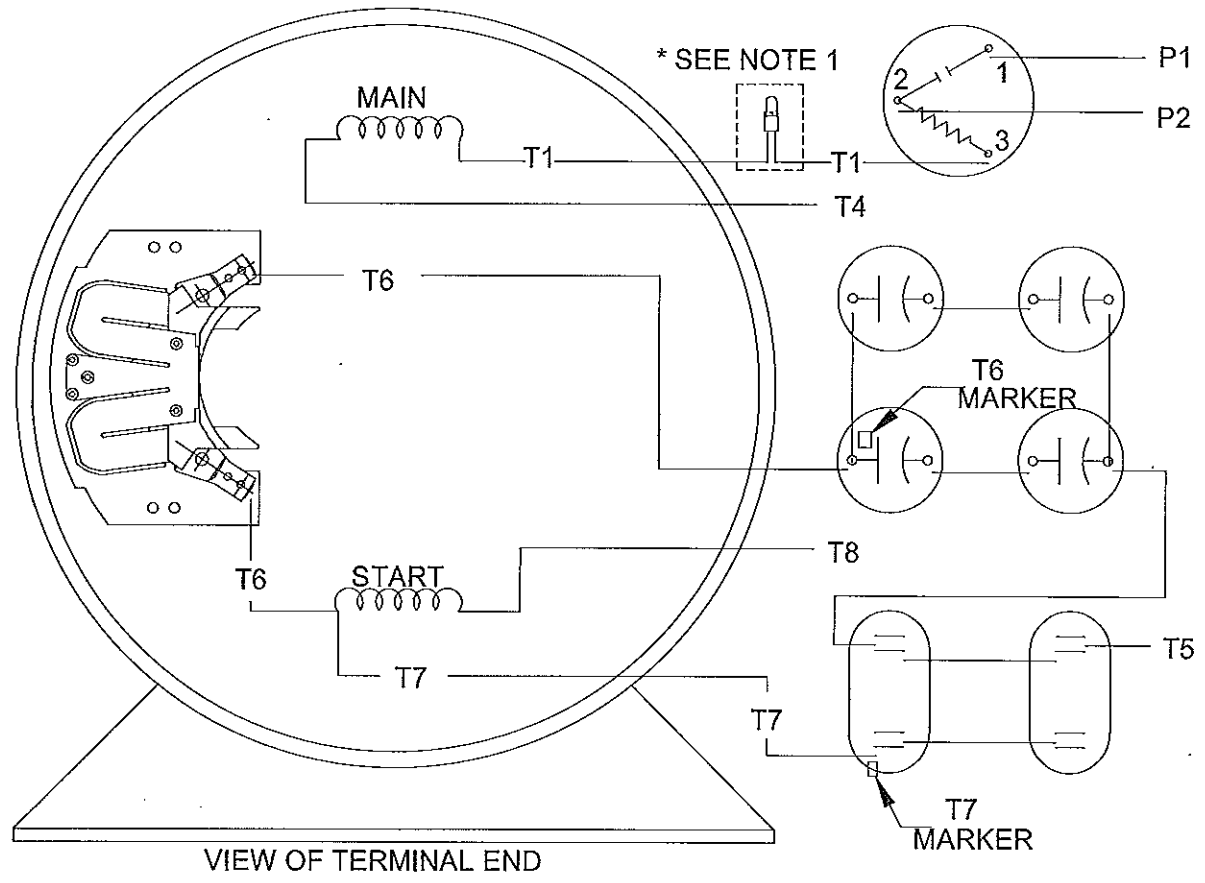


C.C.W. ROTATION

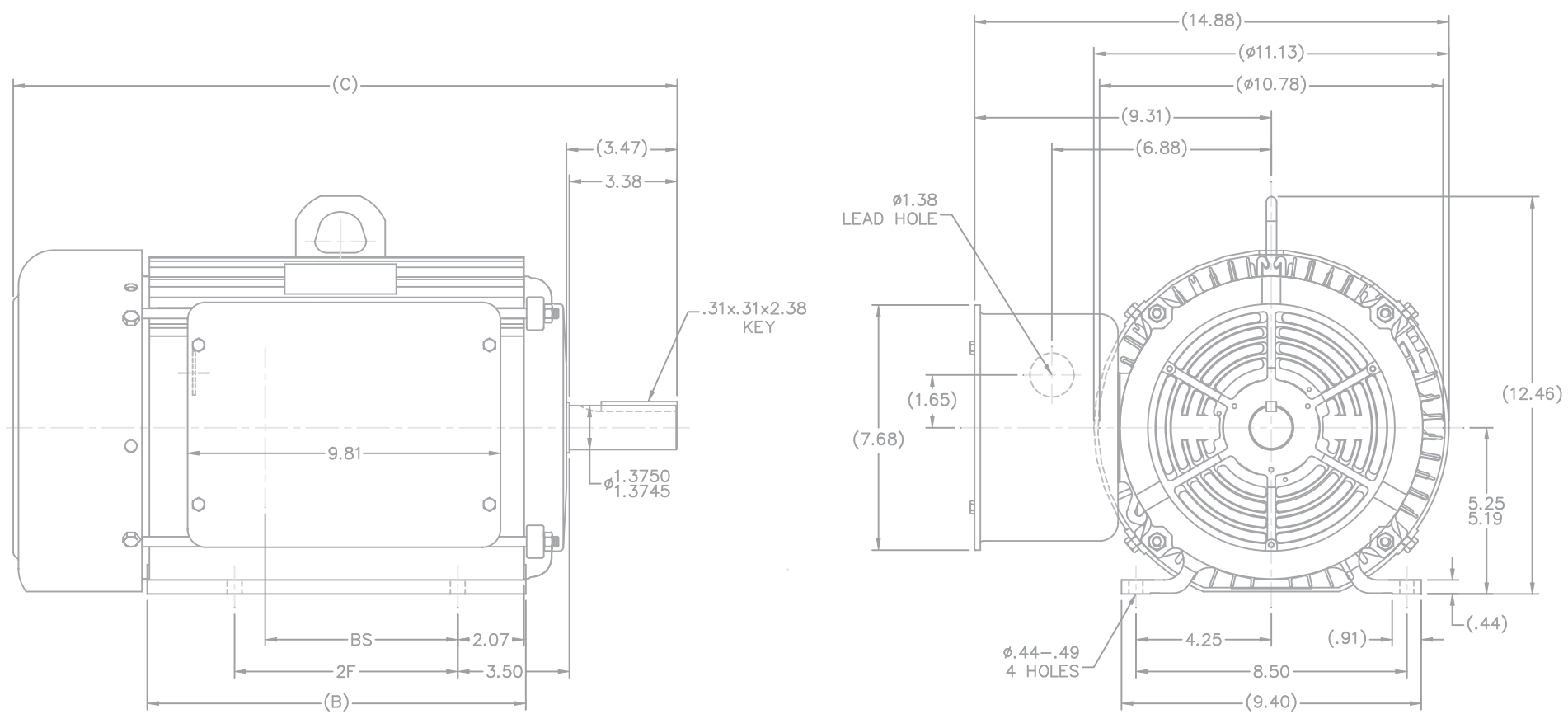


SINGLE VOLTAGE
CAPACITOR START
CAPACITOR RUN
REVERSIBLE

NOTE:
1. USE PRESURE CONNECTOR
ONLY IN MT2 PLANT



		TOLERANCES UNLESS SPECIFIED		MARATHON ELECTRIC		DRAWN MJD 07-10-1998			
		DEC.	INCHES	TITLE		CHK MRB 07-10-1998			
		.X	±.1	CONNECTION DIAGRAM		APPD DR 07-13-1998			
		.XX	±.02	SCALE		1=1.25			
		.XXX	±.005	REF					
01	ADDED PRESSURE CONNECTOR IN MT2 MODEL	NB	10/5/2011	AK	.XXXX	±.0005	FMF		
NO.	REVISION	BY & DATE	CHK	ANG	±7'30'	FINISH	PREV		
THIS DRAWING IN DESIGN AND DETAIL IS OUR PROPERTY AND MUST NOT BE USED EXCEPT IN CONNECTION WITH OUR WORK ALL RIGHTS OF DESIGN AND INVENTION ARE RESERVED THIS IS AN ELECTRONICALLY GENERATED DOCUMENT - DO NOT SCALE THIS PRINT				RFP	CAD FILE	EE9048PB	SIZE	DRAWING NO.	REV.
				DIST			A	A-EE9048PB	01



NOTES:
 1. CONDUIT BOX CAN BE ROTATED IN 180° STEPS.
 2. NAMEPLATE TO BE READ FROM CONDUIT BOX SIDE OF MOTOR.

1175	215	20.82	11.87	7.00	6.04			
DASH	FRAME	C	B	2F	BS			

		TOLERANCES UNLESS SPECIFIED		DRAWN MJK 04-06-2005	
		DEC.	INCHES	CHK	
		.X	±.1	APPD CGO 12-28-2005	
		.XX	±.03	SCALE 5=16	
1 'BA' DIM. WAS 2.31, 'BS' DIM. WAS 7.27, FRAME MTG.		.XXX	±.005	REF	
HOLE LOCATION 2.07 WAS .95		MSG	.XXXX ±.0005	MAT'L	
NO.		REVISION	BY & DATE	FINISH	
		THIS DRAWING IN DESIGN AND DETAIL IS OUR PROPERTY AND MUST NOT BE USED EXCEPT IN CONNECTION WITH OUR WORK ALL RIGHTS OF DESIGN AND INVENTION ARE RESERVED THIS IS AN ELECTRONICALLY GENERATED DOCUMENT - DO NOT SCALE THIS PRINT		PREV	
		RFP	12-28-2005	CAD FILE	SS330107
				SIZE	DRAWING NO. PAGE OF REV.
				B	SS330107 1